



Wi-Fi communication,  
Temperature, Humidity and  
Dew Point Data Logger  
with LCD Display

## DL-101S-WF



Wi-Fi communication,  
Illuminance, Temperature,  
Humidity and Dew Point  
Data Logger

## DL-111S-WF

### Features

- Wi-Fi communication monitoring and configuration
- Compatible with IEEE 802.11b/g/n standards
- Support Access Point(AP) & Station(STA) modes for wireless networks
- Support Modbus TCP
- Photomos relay output
- LCD Display Shows Temperature, Relative Humidity, Dew Point, Date and Time (DL-101S-WF Only)
- Illuminance measure (DL-111S-WF Only)
- Up to 650,000 data logger records
- Wide power supply range
- IP67 Protection Approval



### Introduction

The DL-1xxS-WF Series Data Logger devices can be used to record temperature, humidity and dew point information, including the date and time stamps for each record, with up to 650,000 downloadable records(CSV) able to be stored. Real-time data can be accessed from anywhere and any time using the PC Utility, Android APP & Web. It includes 2-channel Photo MOS Relay Output using trigger source and range for Alarm Devices. DL-101S-WF include an LCD display, DL-111S-WF include an Illuminance sensor.

DL-1xxS-WF Series have WLAN connection complies with the IEEE802.11b/g/n standards, support Modbus TCP protocol, TCP & HTML, Which makes perfect integration for monitoring or control in SCADA software, HMI Modbus & Utility.

### Applications

- Transportation of food or pharmaceuticals
- Food and beverage industry
- Blood stations, pharmacies
- Building and energy management
- Museums, archives, galleries
- Warehouses

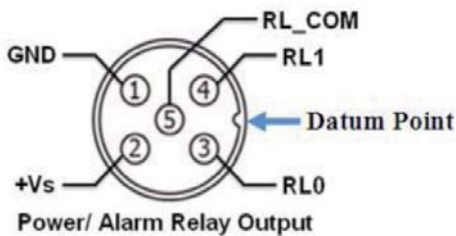
### Specifications

Module	DL-101S-WF	DL-111S-WF
<b>CPU Module</b>		
Real Time Clock	Yes	
<b>Display</b>		
LCD Information Displayed	Temperature (°C and °F), Humidity (RH), Relative Humidity, Date and Time	
<b>LED Indicators</b>		
Status	2 colors LED, Blue for System status, Red for Wi-Fi connect status.	
<b>Temperature Measurement</b>		
Range	-20 ~ +60°C (-31 to +176°F)	
Resolution	0.1°C	
Accuracy	±0.4°C	
<b>Humidity Measurement</b>		
Range	0 ~ 100% RH	
Resolution	0.1% RH	
Accuracy	±3% RH @ 20 to 80% RH	
<b>Illuminance Measurement</b>		
Range	-	0 to 100,000 Lux
Resolution	-	1 Lux
Accuracy	-	±5%

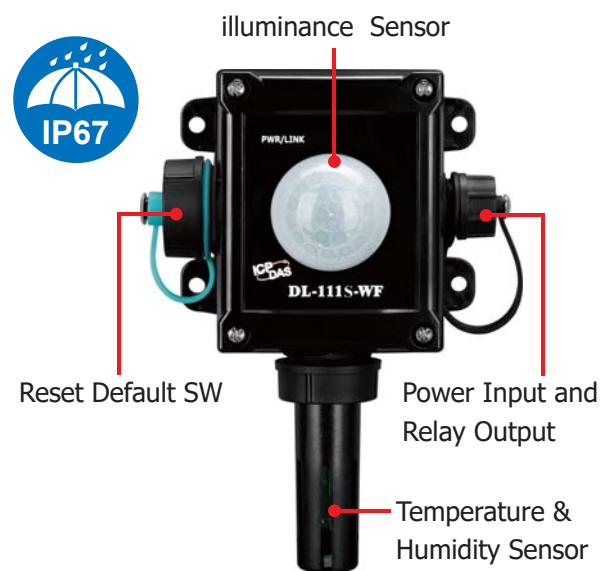
Module	DL-101S-WF	DL-111S-WF
<b>System</b>		
Data Logger	Yes, 650,000 Records	
PhotoMOS Relay Output	Form A x 2, SPST 100 VDC @ 1 A Electrical	
<b>Wi-Fi</b>		
Standards	IEEE 802.11 b/g/n	
Protocol	TCP, Modbus TCP, HTTP	
Mode	Access Point (AP) & Station (STA)	
Encryption	WEP, WPA/ WPA2-PSK	
Data Rate	2.4 GHz	
<b>Power</b>		
Input Range	+9 ~ 48 VDC with Reverse Protection (+Vs to GND)	
Consumption	0.28 W (WiFi Connected Standby)	
<b>Mechanical</b>		
Dimensions (mm)	103 x 135 x 55 (W x L x H)	103 x 135 x 67 (W x L x H)
Installation	DIN-Rail; Wall mounted	
Ingress Protection Rating	IP67	
<b>Environmental</b>		
Operating Temperature	-20 ~ +60°C	
Storage Temperature	-30 ~ +80°C	
Humidity	5 ~ 95% RH, Non-condensing	

## Pin Assignments

### DL-101S-WF/DL-111S-WF



## Appearance

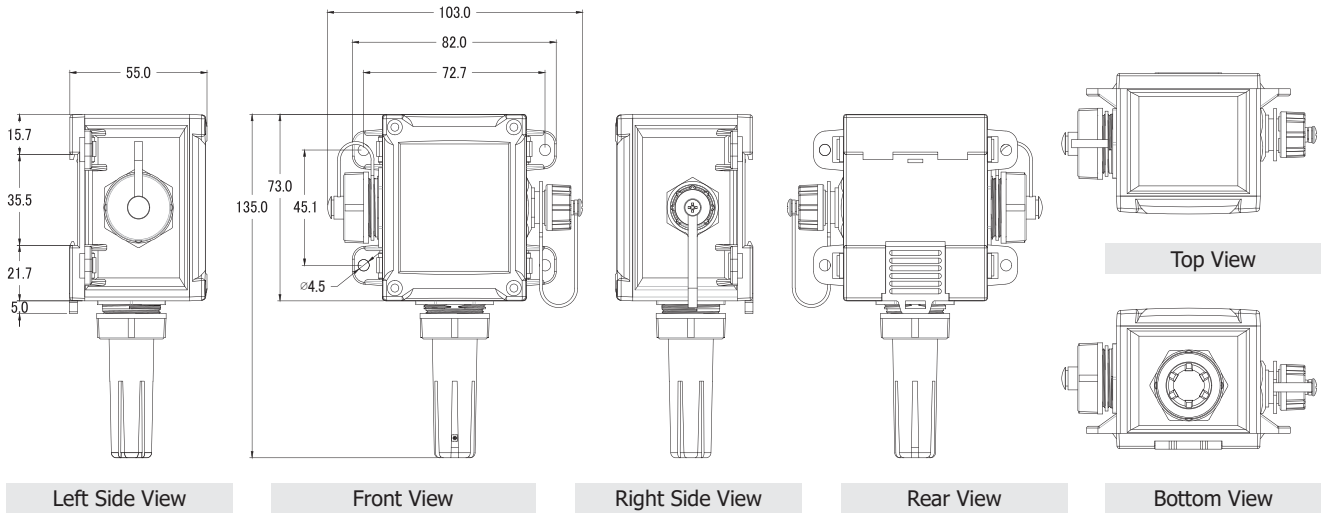


## Wire Connections

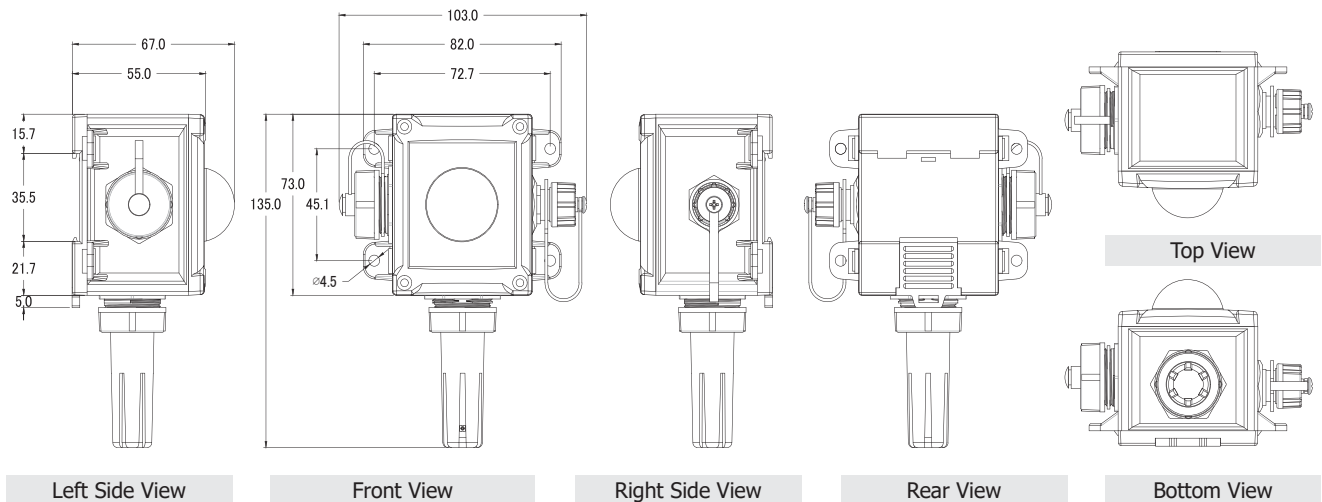
Digital Output Relay wiring		
Output Mode	ON State	OFF State
Form A Relay		

## Dimensions (Units: mm)

### DL-101S-WF



### DL-111S-WF



## Ordering Information

<b>DL-101S-WF CR</b>	Wi-Fi communication, Temperature, Humidity and Dew Point Data Logger with LCD Display (Black Cover) (RoHS) (Asia Only)
<b>DL-111S-WF CR</b>	Wi-Fi communication, Illuminance, Temperature, Humidity and Dew Point Data Logger (Black Cover) (RoHS) (Asia Only)